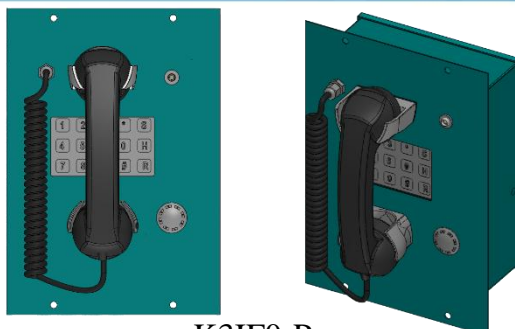


Weather-proof Flush-Mounted Indoor IP Telephone

MODEL K3IF0-P



K3IF0-P

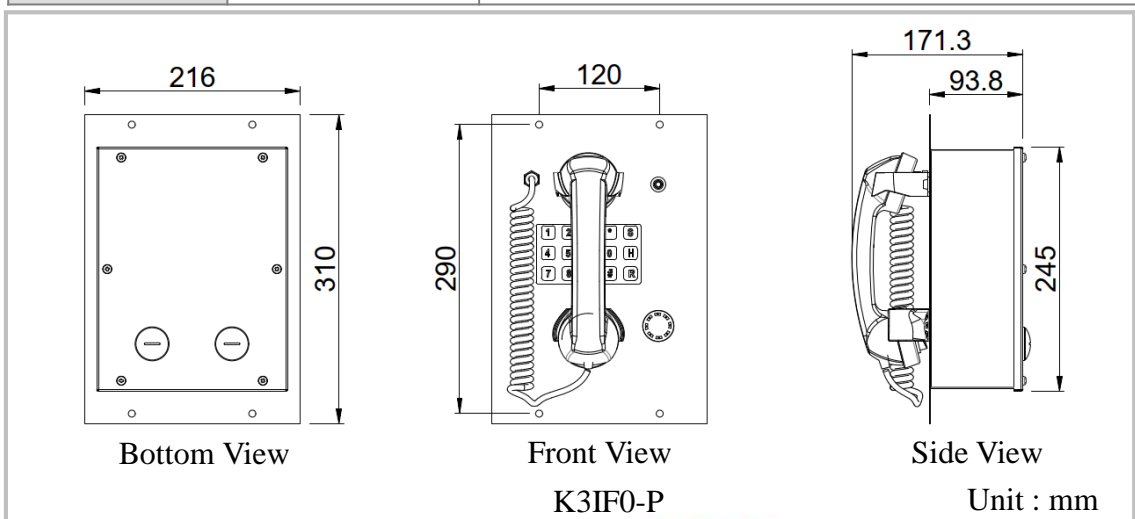
Characteristics

- 1.2 mm SUS304 stainless steel enclosure, aqua blue powder coated, corrosion-resistant, impact-resistant, IP54 rated
- Corrosion-resistant plastic hook with magnetic reed switch
- Corrosion-resistant and waterproof metal keypad (15-key) with SUS304 material, and # callback function
- ABS handset with noise-cancelling, impact-resistant, includes microphone and receiver, and contains a mounting assembly to prevent falling
- Build-in PoE(Power over Ethernet) power input and 1 set LAN port
- Provides DC 12V input port
- Supports G.711 A-Law, G.711 U-Law, G.729, G.722 voice codecs
- Real-time status information accessible via web browser
- Adjust the microphone and speaker volume through the web browser
- 1 DO wet contact providing 12V / 0.5 A output
- With 1 set sound and light alarm, includes speaker and LED indicator light show phone call coming
- Single-color LED indicator light
 1. Constantly lit : Normal standby
 2. Slow Flash : Network or SIP server connection error
 3. Quick Flash : Incoming call or missed call alert
- Supports one SIP line for VoIP communication
- Supports simultaneous registration to 4 SIP Proxy servers

MODEL K3IF0-P

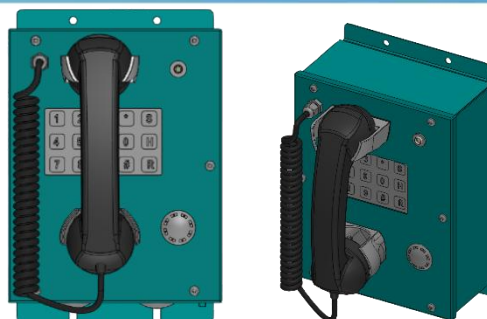
Specifications

Model		K3IF0-P
Power	Voltage	Build-in PoE (Power over Ethernet) power input
		DC 12V power input
Network Connector	Standard RJ-45 Connector	
Internet Communications Protocol	SIP signal protocol compliant with IETF RFC 3261 and RFC 2833	
Phone Configuration Interface	Supports HTTP	
Voice codecs	G.711 A-Law, G.711 U-Law, G.729, G.722	
Handset	Material	ABS
	Microphone	10 Ω dynamic, noise cancelling -20dB
	Receiver	150 Ω dynamic
	Handset Wire	PU material with strong flexibility
	Control	Adjustable microphone gain, earpiece volume and speaker volume
Environment	IP Degree	IP54
	Ambient Temperature	-20°C~+50°C
Packing	Dimensions	410(L) x 270(W) x 270(H) mm
	Weight	5.1 kg



Weather-proof Wall-Mounted Indoor IP Telephone

MODEL K3IG0-P



K3IG0-P

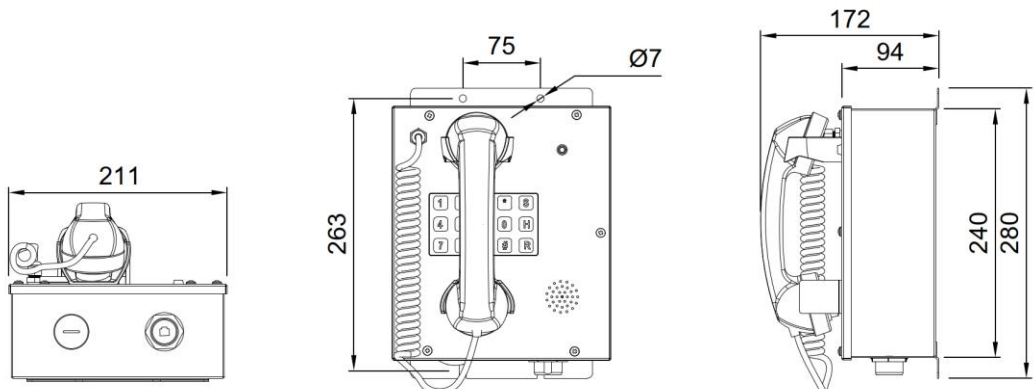
Characteristics

- 1.2 mm SUS304 stainless steel enclosure, aqua blue powder coated, corrosion-resistant, impact-resistant, IP54 rated
- Corrosion-resistant plastic hook with magnetic reed switch
- Corrosion-resistant and waterproof metal keypad (15-Key) with SUS304 material, and # callback function
- ABS handset with noise-cancelling, impact-resistant, includes microphone and receiver, and contains a mounting assembly to prevent falling
- Build-in PoE(Power over Ethernet) power input and 1 set LAN port
- Provides DC 12V input port
- Supports G.711 A-Law, G.711 U-Law, G.729, G.722 voice codecs
- Real-time status information accessible via web browser
- Adjust the microphone and speaker volume through the web browser
- 1 DO wet contact providing 12V / 0.5 A output
- With 1 set sound and light alarm, includes speaker and LED indicator light show phone call coming
- Single-color LED indicator light
 1. Constantly lit : Normal standby
 2. Slow Flash : Network or SIP server connection error
 3. Quick Flash : Incoming call or missed call alert
- Supports one SIP line for VoIP communication
- Supports simultaneous registration to 4 SIP Proxy servers

MODEL K3IG0-P

Specifications

Model		K3IG0-P
Power	Voltage	Build-in PoE (Power over Ethernet) power input
		DC 12V power input
Network Connector	Standard RJ-45 Connector	
Internet Communications Protocol	SIP signal protocol compliant with IETF RFC 3261 and RFC 2833	
Phone Configuration Interface	Supports HTTP	
Voice codecs	G.711 A-Law, G.711 U-Law, G.729, G.722	
Handset	Material	ABS
	Microphone	10 Ω dynamic, noise cancelling -20dB
	Receiver	150 Ω dynamic
	Handset Wire	PU material with strong flexibility
	Control	Adjustable microphone gain, earpiece volume and speaker volume
Environment	IP Degree	IP54
	Ambient Temperature	-20°C~+60°C
Packing	Dimensions	410(L) x 270(W) x 270(H) mm
	Weight	5.1 kg



Bottom View

Front View

Side View

K3IG0-P

Unit : mm

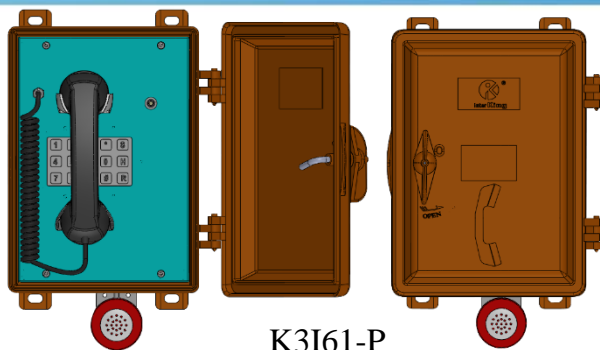


INTERKING ENTERPRISES LTD.

<http://www.interking.com.tw>

Weather-proof Wall-Mounted Outdoor IP Telephone (Includes ringtone and flash light)

MODEL K3I61-P



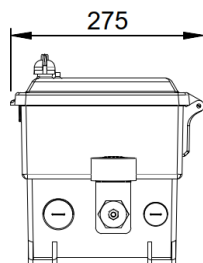
Characteristics

- Orange ABS material enclosure, SUS304 1.2mm aqua blue metal panel, corrosion-resistant, impact-resistant, IP66 rated.
- Corrosion-resistant plastic hook with magnetic reed switch
- Corrosion-resistant and waterproof metal keypad (15-Key) with SUS304 material; includes handset/headphone switch button and # callback function
- ABS handset with noise-cancelling, impact-resistant, includes microphone and receiver, and contains a mounting assembly to prevent falling
- Build-in PoE(Power Over Ethernet) power input and 1 set LAN port
- Provides DC 12V input port
- Supports G.711 A-Law, G.711 U-Law, G.729, G.722 voice codecs
- Real-time status information accessible via web browser
- Adjust the microphone and speaker volume through the web browser
- 1 DO wet contact providing 12V / 0.5 A output
- With 1 set sound and light alarm, includes speaker and LED indicator light show phone call coming
- Single-color LED indicator light
 1. Constantly lit : Normal standby
 2. Slow Flash : Network or SIP server connection error
 3. Quick Flash : Incoming call or missed call alert
- Supports one SIP line for VoIP communication
- Supports simultaneous registration to 4 SIP Proxy servers

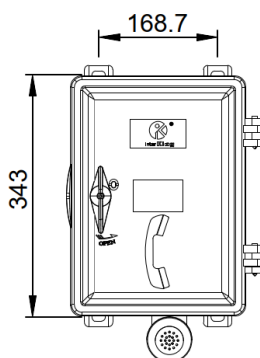
MODEL K3I61-P

Specifications

Model		K3I61-P
Power	Voltage	Build-in PoE (Power over Ethernet) power input
		DC 12V power input
Network Connector	Standard RJ-45 Connector	
Internet Communication Protocol	SIP signal protocol compliant with IETF RFC 3261 and RFC 2833	
Phone Configuration Interface	Supports HTTP	
Voice codecs	G.711 A-Law, G.711 U-Law, G.729, G.722	
Handset	Material	ABS
	Microphone	10 Ω dynamic, noise cancelling -20dB
	Receiver	150 Ω dynamic
	Handset wire	PU material with strong flexibility
	Control	Adjustable microphone gain, earpiece volume and speaker volume
Environment	IP Degree	IP66
	Ambient temperature	-20°C~+60°C
Packing	Dimensions	410(L) x 270(W) x 270(H) mm
	Weight	6.1 kg

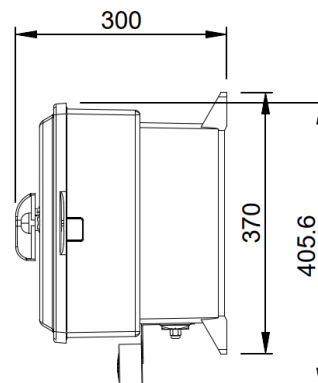


Bottom View



Front View

K3I61-P



Side View

Unit : mm



INTERKING ENTERPRISES LTD.

<http://www.interking.com.tw>

Product List

